

**Flat Cutter End Milling:**

- End milling with flat cutter at  $-22,5^{\circ}$ ,  $+45^{\circ}$  range.



**Reverse Cutter End Milling:**

- End milling with reverse cutter at  $-22,5^{\circ}$ ,  $-45^{\circ}$  range.

**Cutter Change System:**

- Practical cutter change system provides ease of operation.



**End Milling:**

- Support system adjustable to four different profiles.
- High quality end milling thanks to hydropneumatic system.



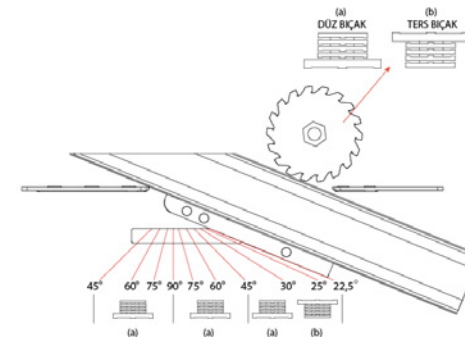
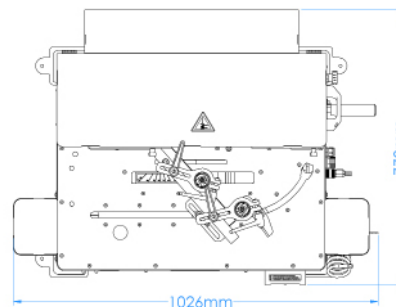
**General Features**

- End milling of Aluminium profiles at  $22,5^{\circ}$   $+22,5^{\circ}$  range.
- Has lubrication system.
- Angle adjustment with mechanical support plates.
- Practical cutter progress speed adjustment.
- Safe operation with safety cover.
- Practical cutter adjustment thanks to cutter gab.
- Cutter storing with cutter shelf.

**Optional Equipments**



• End Milling Cutters



<p>H: 980 mm</p>	<p>400 V L1-L2-L3-N-PE 50 / 60 Hz 1.5 kW</p>	<p>110 kg</p>	<p>6-8 Bar 45 l / Cycle</p>	<p>a: max: 180mm h: max: 200 mm</p>	<p>ØD: 180 mm Ød: 30 mm h max: 145 mm</p>
------------------	--	---------------	---------------------------------	---	---