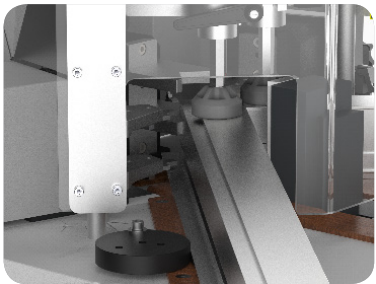


- Mechanical adjustment of inner support plate.
- Easy adjusting of press blades.
- Free working area thanks to automatically descending inner support plate after operation.

- Fiber material surface in order to protect profile surface.
- Elegant and transparent safety covers to provide a safe working area.

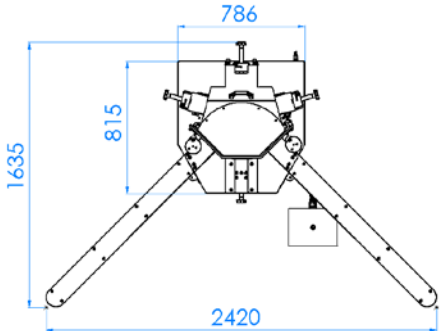


General Features

- Crimping of aluminium profile corners.
- Press units movement is adjusted on scale.
- Practical blade replacement.
- 6.000 kg press force with hydropneumatic system.
- Adjustable press time.
- Eco-friendly, non-electrical operation.

Optional Equipments

- Special blade sets for different profiles



 a [min.: 55 mm max.: 125 mm] h [max.: 160 mm]	 L: 900 mm W: 850 mm H: 1400 mm	 450 kg	 6-8 Bar
---	--	------------	-------------